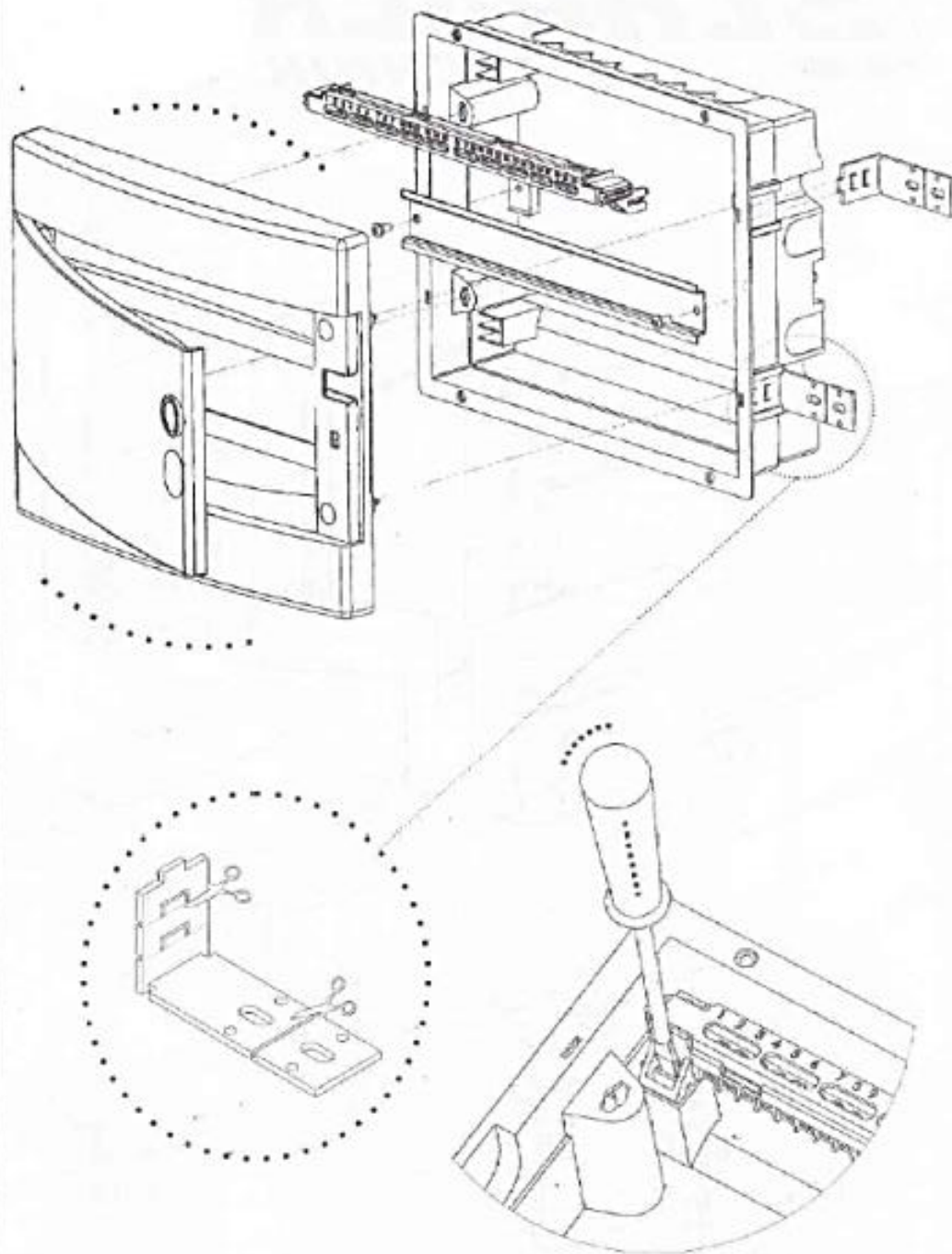
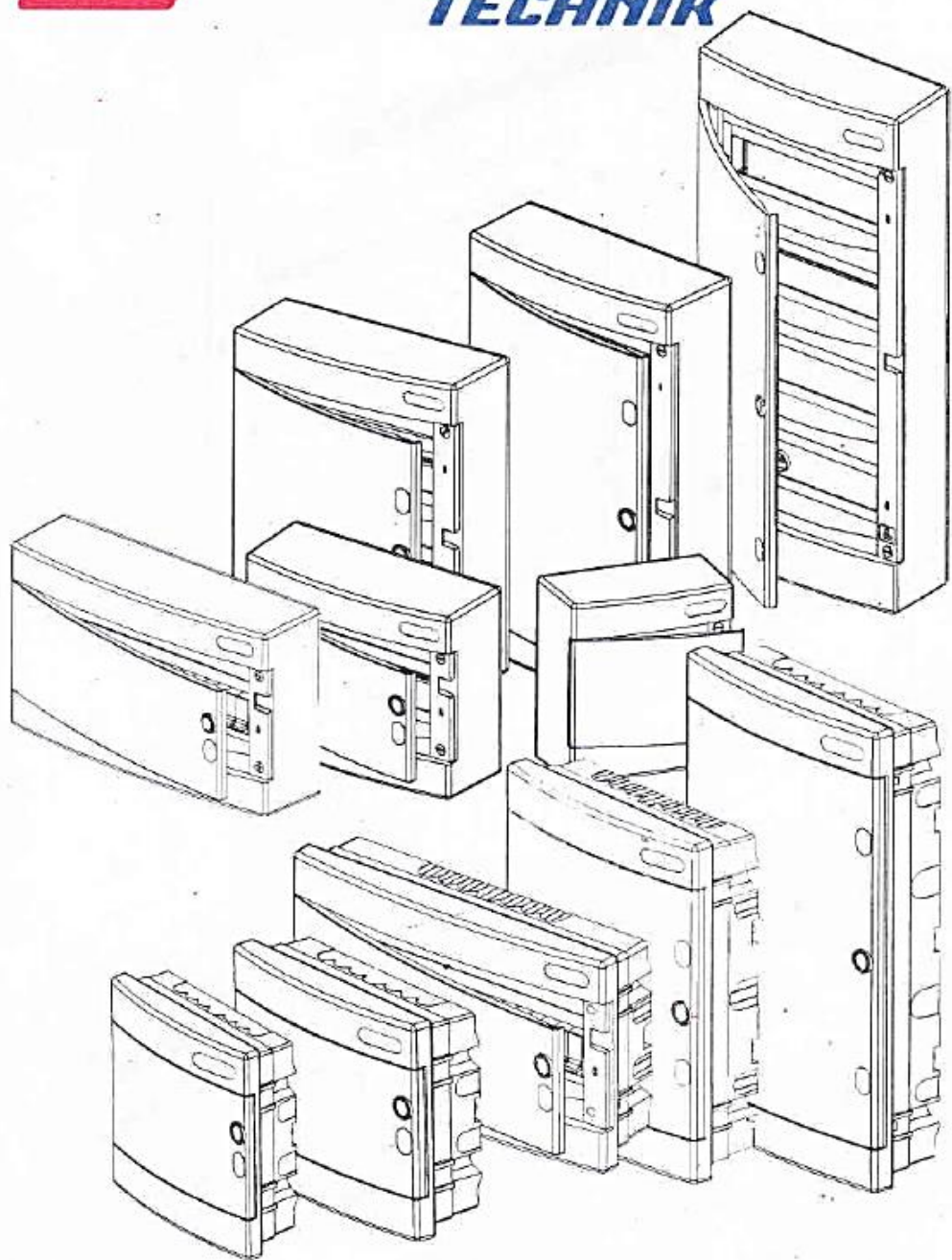
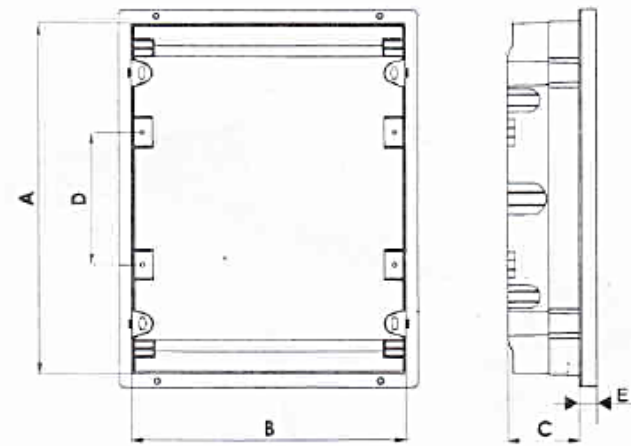
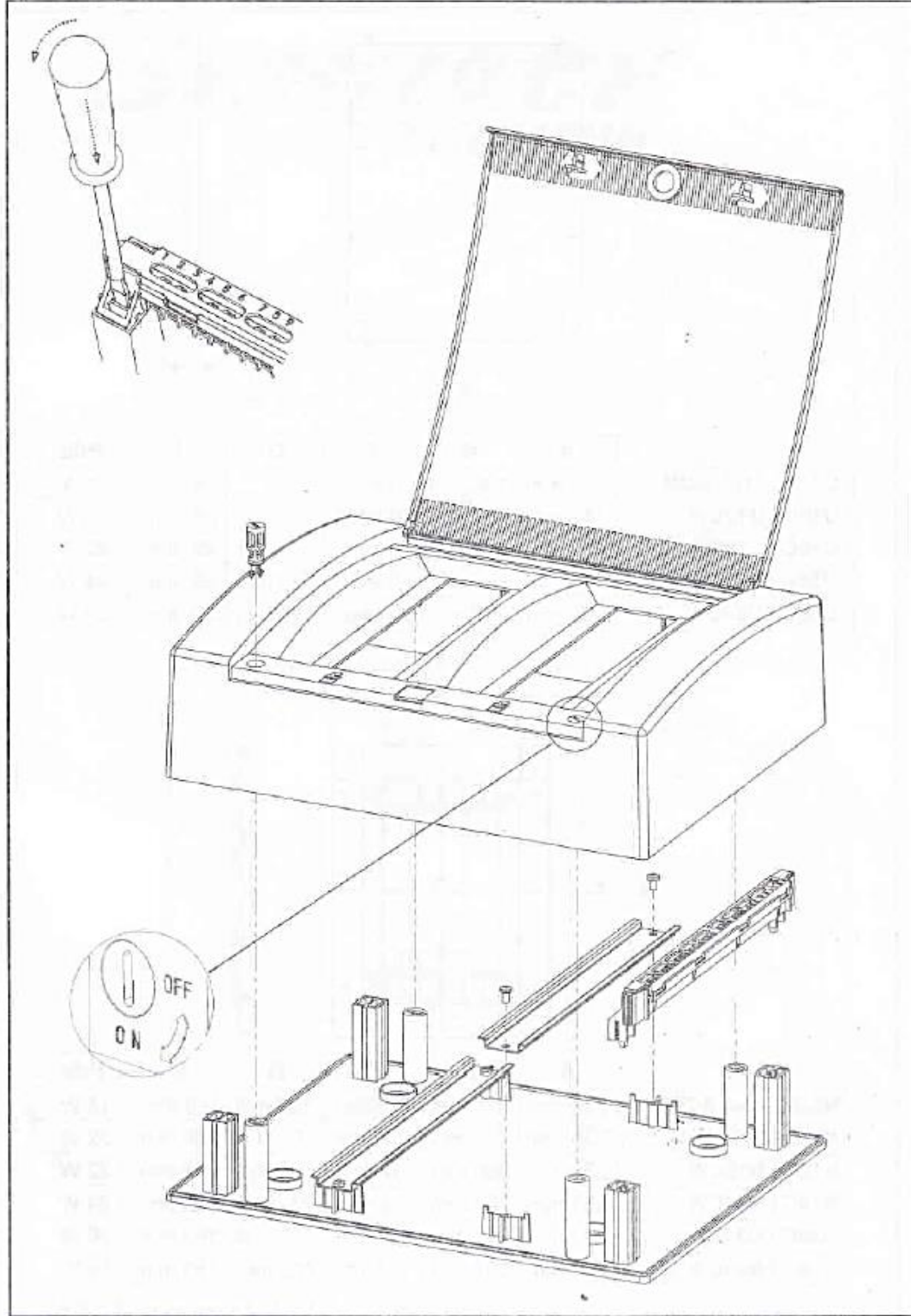
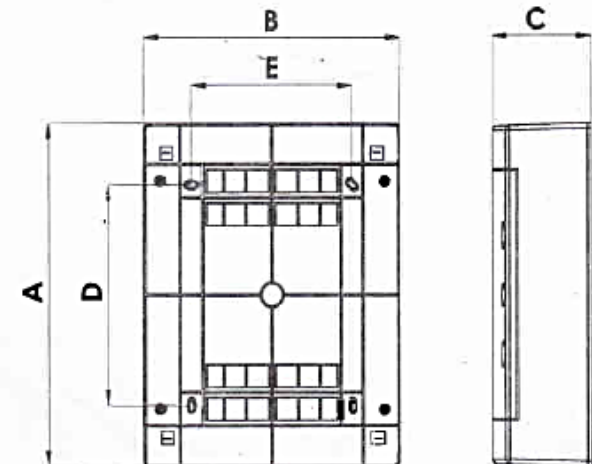


SCHRACK
TECHNIK





	A	B	C	D	E	Pde
F08	212 mm	198 mm	70 mm		29 mm	14 W
F12	212 mm	267 mm	70 mm		29 mm	22 W
F24	336 mm	267 mm	70 mm	125 mm	29 mm	24 W
F36	462 mm	267 mm	70 mm	125 mm	29 mm	26 W



	A	B	C	D	E	Pde
S08	236 mm	215 mm	112 mm	107 mm	108 mm	14 W
S12	236 mm	287 mm	112 mm	107 mm	180 mm	22 W
S24	361 mm	287 mm	112 mm	232 mm	180 mm	24 W
S36	482 mm	287 mm	112 mm	357 mm	180 mm	26 W

Temperature range: -25°C ... +60 °C, Rating Voltage: AC 400 V, According to: IEC 60670